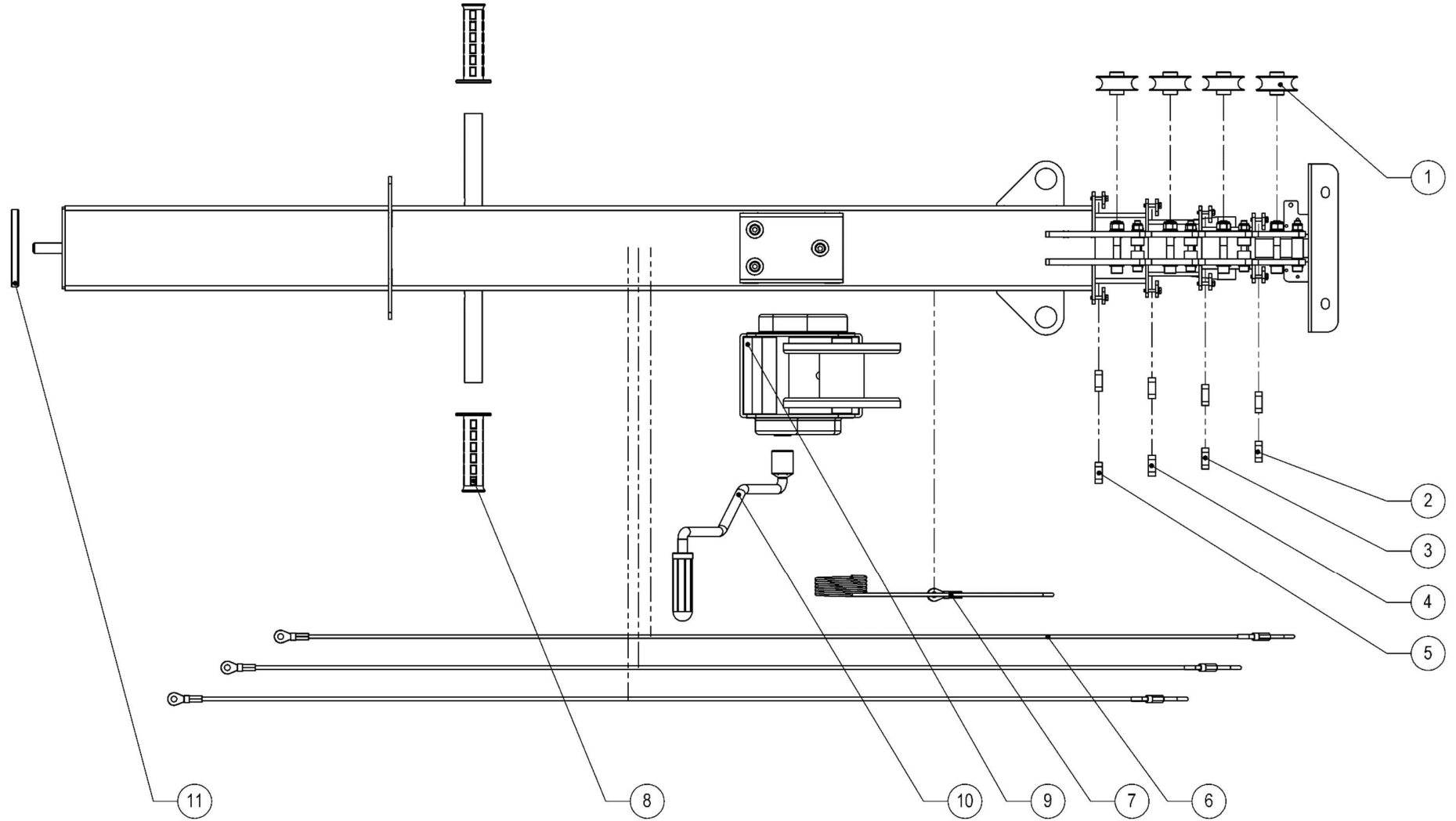


TOWERLOOP SPARE PARTS

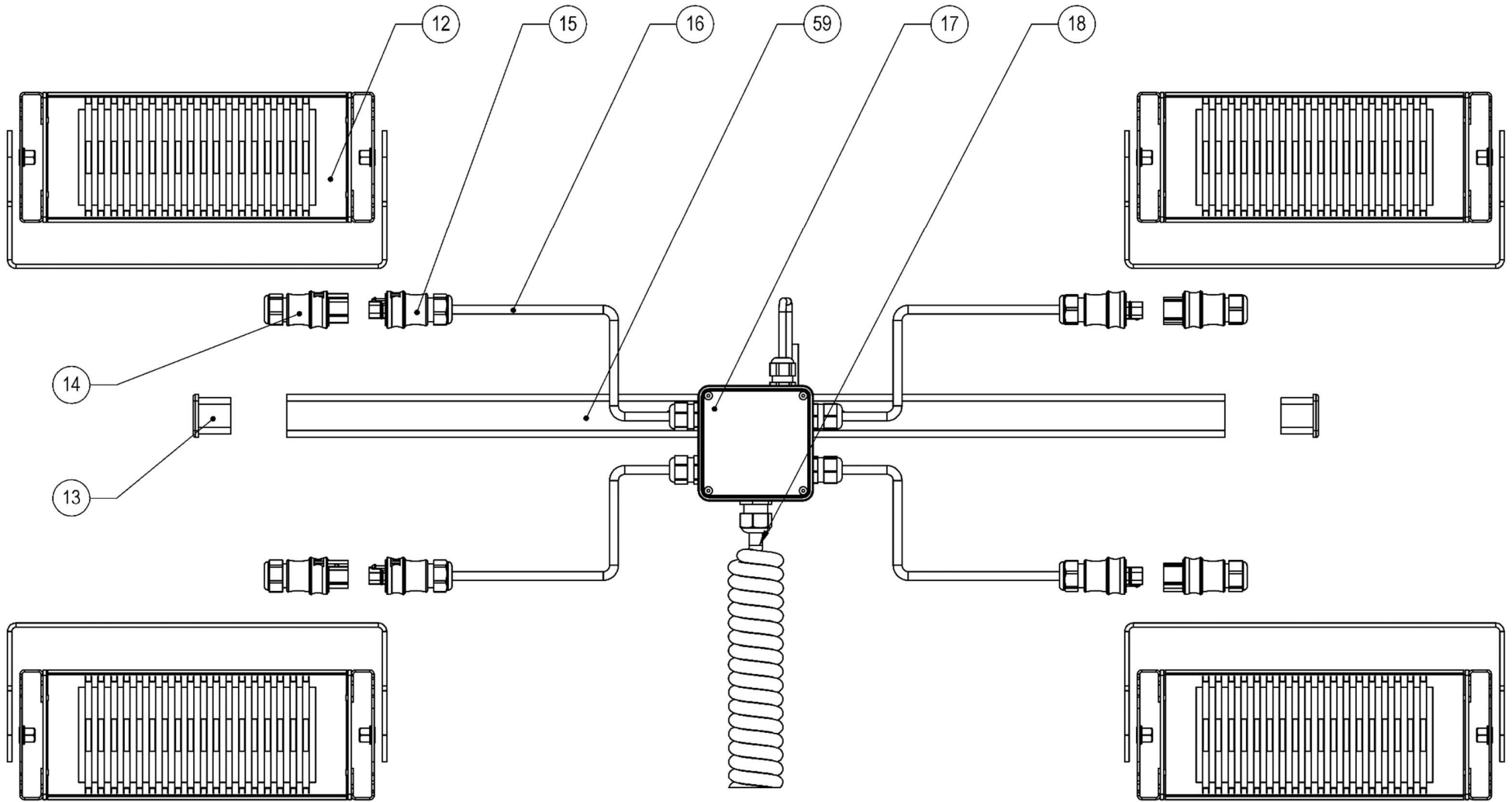
PLUG-IN LIGHTING TOWER WITH MANUAL LIFTING SYSTEM



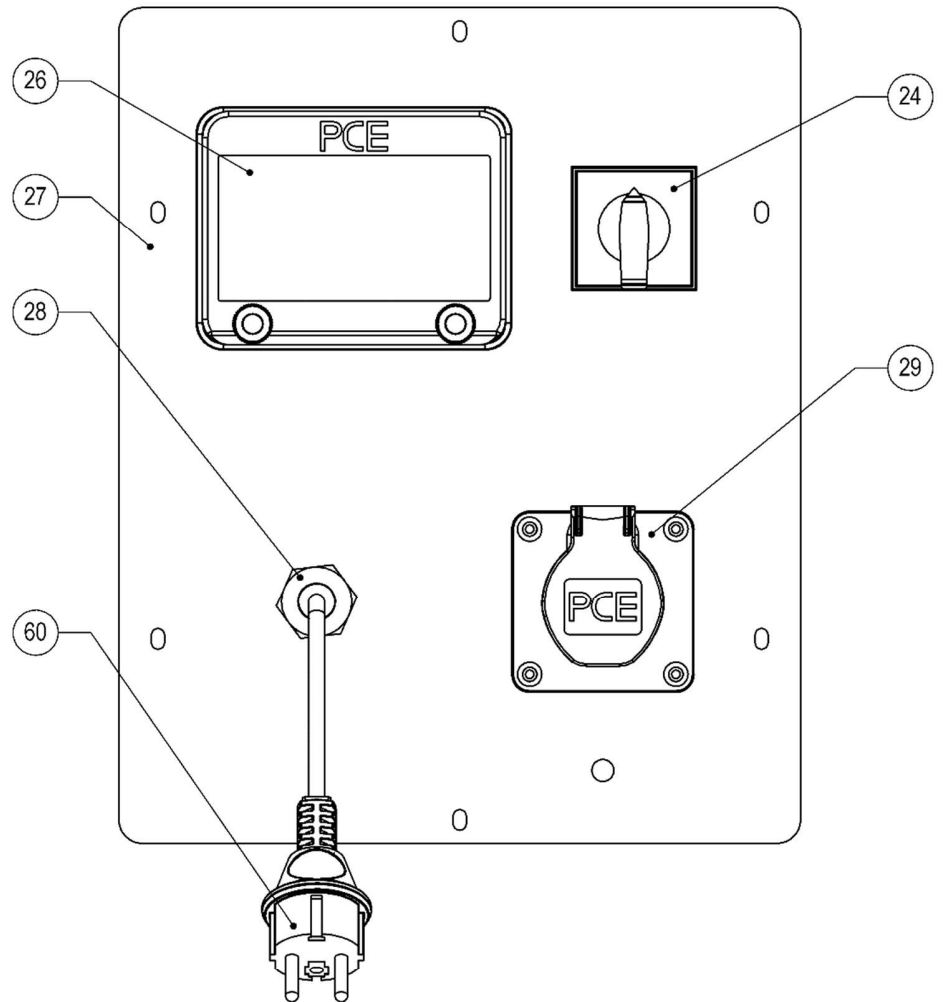
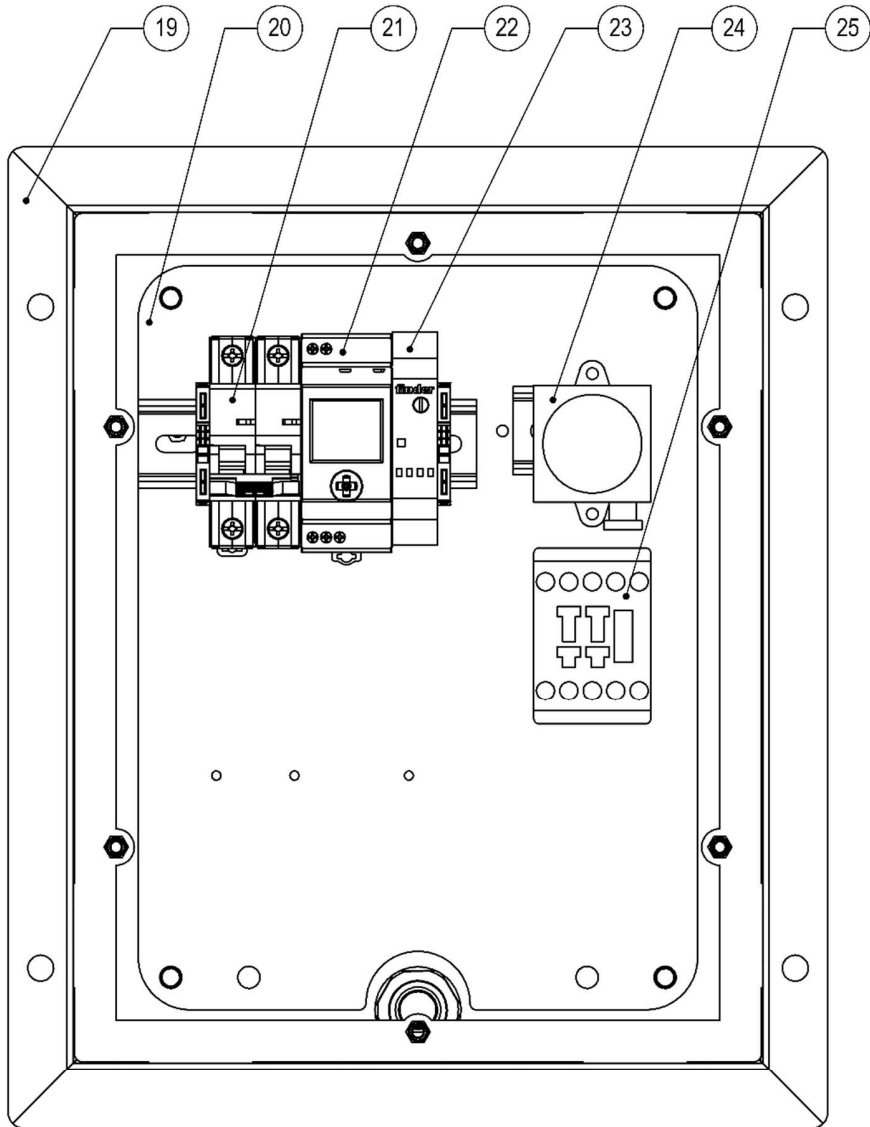
1. TELESCOPIC MAST GROUP



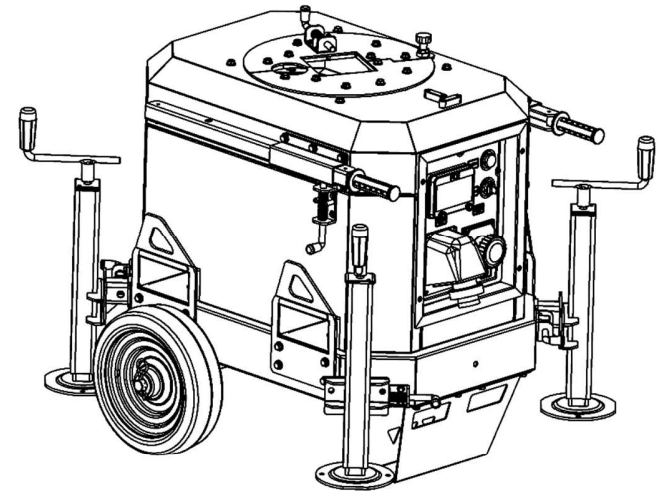
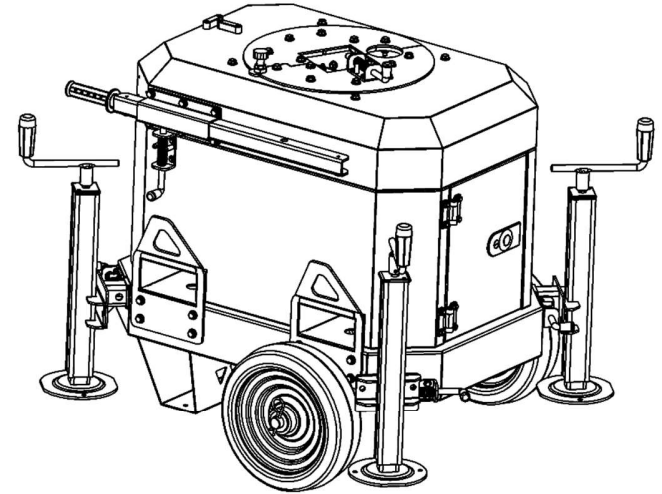
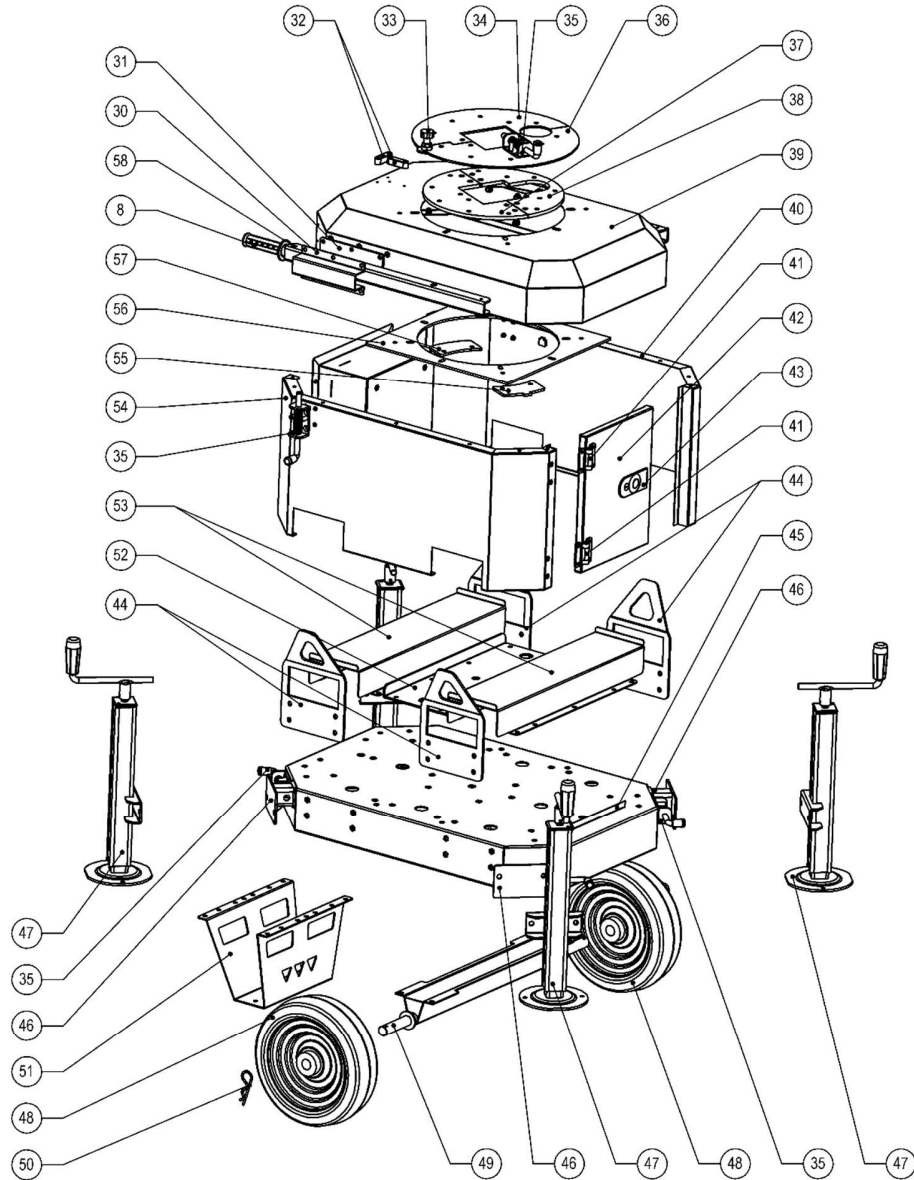
2. FLOODLIGHTS BRACKET



3. CONTROL PANEL



4. CANOPY AND EXTERNAL PARTS



5. LEGEND

N	CODE	DESCRIPTION	QTY.
1	R60X20U	PULLEY	4
2	PS60X60	MAST SKID BLOCK 60X60	2
3	PS80X80	MAST SKID BLOCK 80X80	2
4	PS100X100	MAST SKID BLOCK 100X100	2
5	PS120X120	MAST SKID BLOCK 120X120	2
6	PS18848	STEEL TIE ROD L.1530	3
7	PS18926	STEEL TIE ROD L.4000	1
8	01611/24	PVC KNOW	1
9	1210654	MANUAL WHINCH	1
10	A00529	MANUAL WHINCH HANDLE	1
11	DISCO_D110	MAST ROTATION DISC	1
12	TSR-PROLED PLUS 19.200LM 60007401	LED LIGHT	4
13	TPN40X40	LIGHTS GROUP BRACKET CAP	2
14	LIGHT_CONNECTOR	LIGHT CONNECTOR	4
15	BOX_CONNECTOR	LIGHT BOX CONNECTOR	4
16	KC_PROLED_001	CONNECTION BOX CABLE	4
17	A04_1001	COMPLETE LIGHTS BOX	1
18	CSP9_1,5UL	COILED CABLE	1
19	A00321	CONTROL PANEL BOX	1
20	A00323	CONTROL PANEL PLATE	1
21	P1MB2PC16	CIRCUIT BREAKER	1
22	T41700130	ASTRO TIMER	1
23	CQE0024	DUSK TO DAWN SENSOR RELAY	1
24	CQE0054	COMMUTER	1
25	AS09301026	CONTACTOR	1
26	CQE0009	CIRCUIT BREAKER BOX	1
27	A03_0414	CONTROL PANEL FRONT	1
28	CEM1500.16N	NO-TEAR PLUG	1
29	A03_0345	SOCKET	1
30	A00313	HANDLE SLIDER	2
31	A00316	HANDLE BRACKET	2
32	P15	STABILIZING LEVEL	2
33	A00518	SPRING PISTON	1

34	A00326	UPPER MAST PLATE 1	1
35	A00190	PERNO A MOLLA	7
36	A00325	UPPER MAST PLATE 2	2
37	A00311	LOWER MAST PLATE 1	1
38	A00310	LOWER MAST PLATE 2	1
39	A00333	MACHINE BODY UPPER PANEL	1
40	A00331	LEFT SIDE PANEL	1
41	A00187	DOOR HINGE	2
42	A00334	DOOR	1
43	A00192	DOOR LOCK	1
44	A00320	FORKLIFT PROTECTION	4
45	A00329	DOOR STOP	1
46	KA00023	STABILIZER TUBE	4
47	ST_001	STABILIZER	4
48	GDI109M48	WHEEL	2
49	A00327	AXLE	1
50	50156	WHEELS LOCK PIN	2
51	A00328	GROUND SUPPORT BRACKET	1
52	A00330	MAST SUPPORT	1
53	A00319	FORKLIFT CHANNEL	2
54	A00332	RIGHT SIDE PANEL	1
55	A00318	MAST STABILIZATION BRACKET	1
56	A00312	MAST REINFORCEMENT	1
57	A00317	MAST SUPPORT	1
58	A00314	TROLLEY HANDLE	2
59	A00267	LIGHTS GROUP BRACKET	1
60	SCHUKO_PLUG	PLUG WITH CABLE	1